
CAE PERFORMANCE PRODUCTS PTY/LTD

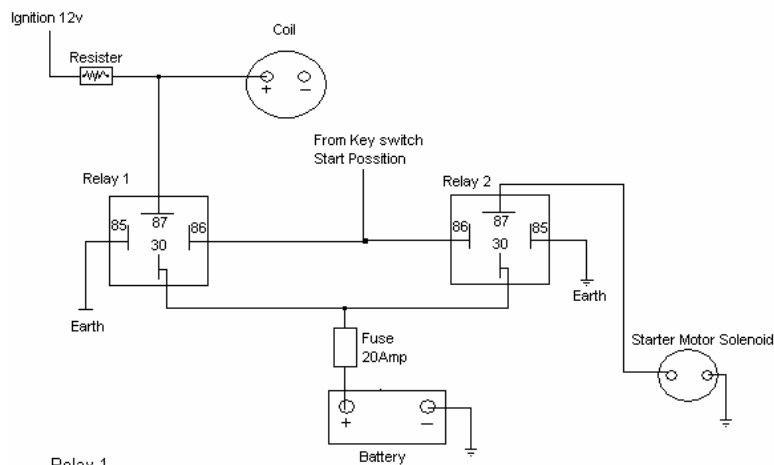
Pyrenees Hwy Chewton, VIC. 3450

Telephone : (03) 5472 1442 - Fax (03) 5472 4111

Instruction for Wiring Starter Relay on a Points By-pass system

Wiring Diagram to suit CAE Hi-Torque Starter Motor with the use of a points ignition system

This setup will Boost ignition voltage to coil while engine is cranking



Relay 1

1. Remove resistor bypass from starter solenoid and wire it to pin 87 of The Relay
2. Join the original starter Solenoid wire from key switch and run to 86 terminal on relay.
3. Pin 85 Of the relay needs to be earthed
4. Pin 30 Needs to go to Battery +ve Stud via Fuse
5. Mount relay on fire wall

Relay 2

Note... This relay needs to be wired for CAE starter Motor as it needs true battery voltage on solenoid wire to work correctly if solenoid is wired without a Relay it may suffer from voltage drop and cause solenoid not to engage correctly

1. Remove original starter Solenoid Wire from starter Motor Solenoid and wire it to Relay 2 Pin 86
2. New wire to Be Ran from relay Pin 87 To starter motor Solenoid
3. Pin 85 of Relay needs to be Earthed
4. 30 Needs to go to Battery +ve Stud via Fuse
5. Mount relay on fire wall